


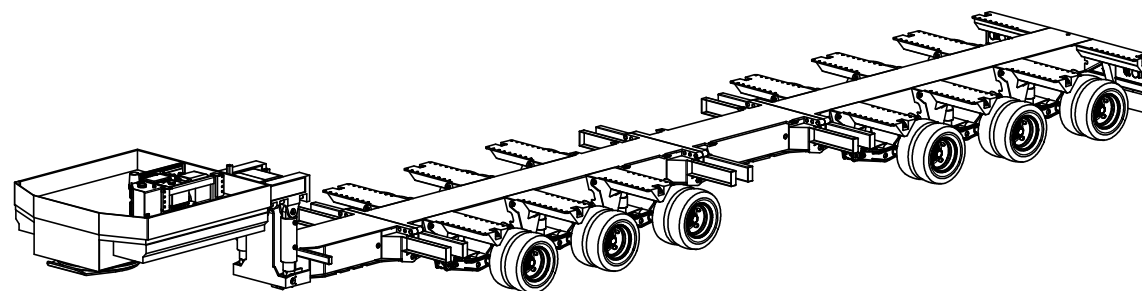
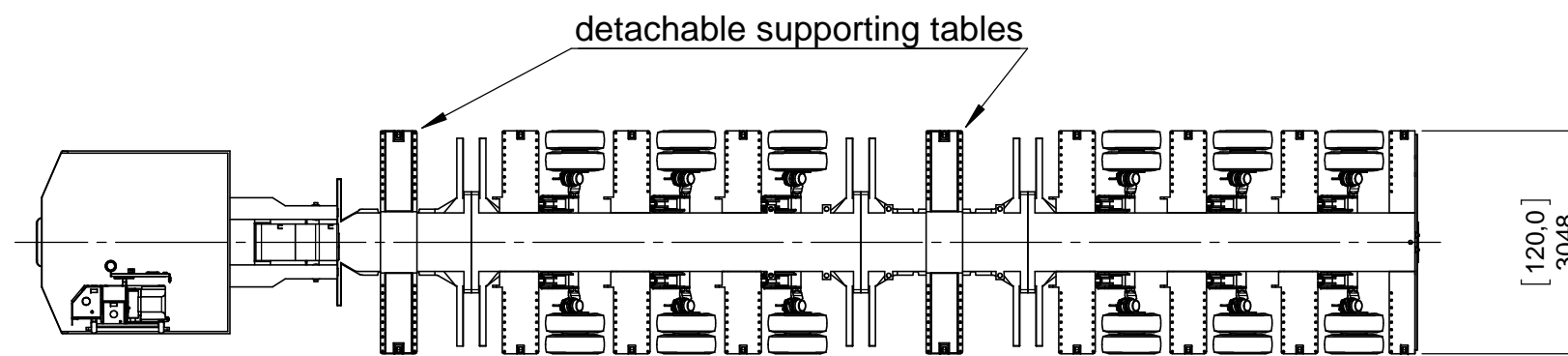
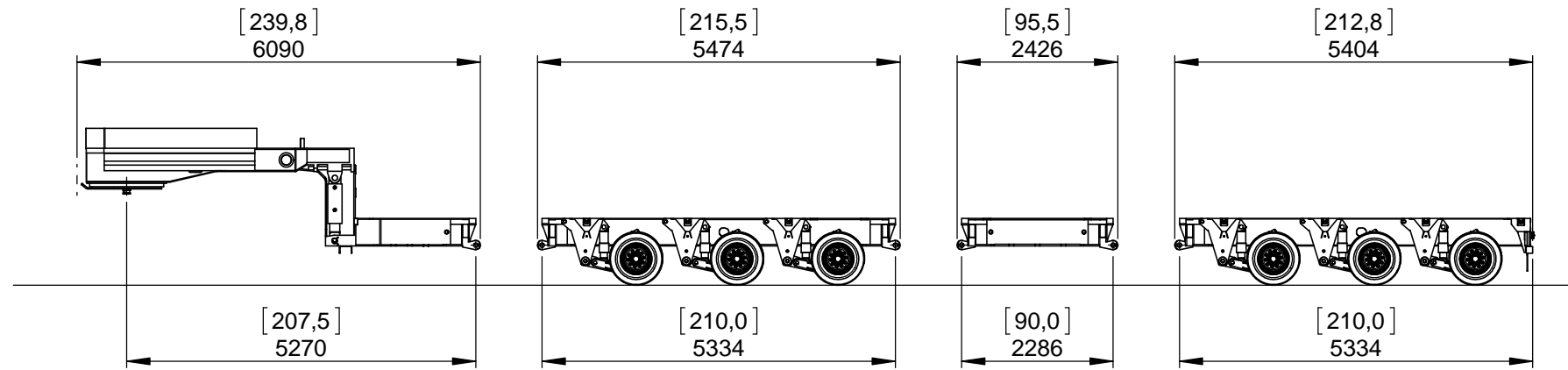
Alterations to design and dimensions reserved!
Drawing can include options!

This drawing remains the property of Scheuerle. It is entrusted to the receiver for the specified use only. It may not be reproduced nor made accessible to third persons without written permission.
SCHUEERLE-FAHRZEUGFABRIK GMBH

Copyright: DIN 34 / ISO 16016

scale	1:100		 FAHRZEUGFABRIK GmbH Postfach 20 D-74627 Pfedelbach
date	23.12.2015	Gebert	
inspe.	20.01.2016	Kern	
source:			

Highway Trailer 10.0 MES Semi-Trailer 6 axle		
64205647-P	version 0	sh. 1 2 sh.



Alterations to design and dimensions reserved!
Drawing can include options!

This drawing remains the property of Scheuerle. It is entrusted to the receiver for the specified use only. It may not be reproduced nor made accessible to third persons without written permission.
SCHUEERLE-FAHRZEUGFABRIK GMBH

Copyright: DIN 34 / ISO 16016

scale	1:100	
date	23.12.2015	
name	Gebert	
desig.	23.12.2015	Gebert
inspe.	20.01.2016	Kern
source:		

SCHUEERLE
FAHRZEUGFABRIK GmbH
Postfach 20
D-74627 Pfedelbach

**Highway Trailer 10.0 MES
Semi-Trailer 6 axle**

64205647-P

version	sh. 2
0	2 sh.